

JUMO GmbH & Co. KG

Delivery address: Mackenrodtstraße 14
36039 Fulda, Germany
Postal address: 36035 Fulda, Germany
Phone: +49 661 6003-0
Fax: +49 661 6003-607
E-mail: mail@jumo.net
Internet: www.jumo.net

JUMO Instrument Co. Ltd.

JUMO House
Temple Bank, Riverway
Harlow, Essex CM20 2DY, UK
Phone: +44 1279 635533
Fax: +44 1279 635262
E-mail: sales@jumo.co.uk
Internet: www.jumo.co.uk

JUMO Process Control, Inc.

8 Technology Boulevard
Canastota, NY 13032, USA
Phone: 315-697-5866
1-800-554-JUMO
Fax: 315-697-5867
E-mail: info.us@jumo.net
Internet: www.jumousa.com



Fittings for flow sensors

Brief description

These fittings enable to connect the following flow sensors in tubes:

- MID flow transmitter, type 406010
- Paddlewheel flow sensor, type 406020

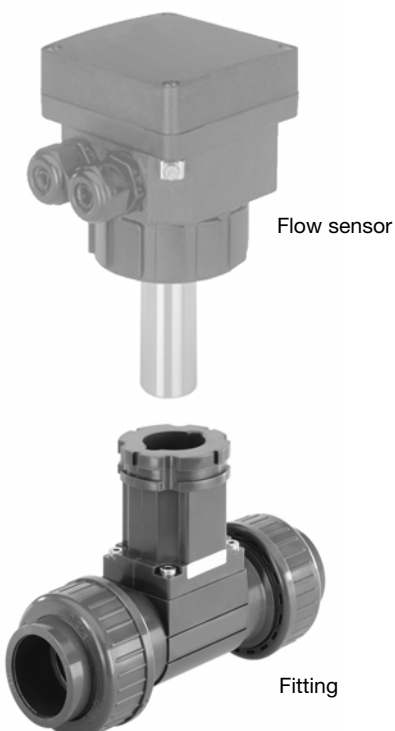


Stainless steel T fitting



PVC T fitting

Example of mounting



Key features

- For flow sensors
Type 406010 (MID sensor)
Type 406020 (paddlewheel sensor)
- Wide assortment of process connections
DN15 to DN400.
- Plastic and stainless steel options.
- Simple mounting.
- For neutral, aggressive or polluted liquids.

JUMO GmbH & Co. KG
 Delivery address: Mackenrodtstraße 14
 36039 Fulda, Germany
 Postal address: 36035 Fulda, Germany
 Phone: +49 661 6003-0
 Fax: +49 661 6003-607
 E-mail: mail@jumo.net
 Internet: www.jumo.net

JUMO Instrument Co. Ltd.
 JUMO House
 Temple Bank, Riverway
 Harlow, Essex CM20 2DY, UK
 Phone: +44 1279 635533
 Fax: +44 1279 635262
 E-mail: sales@jumo.co.uk
 Internet: www.jumo.co.uk

JUMO Process Control, Inc.
 8 Technology Boulevard
 Canastota, NY 13032, USA
 Phone: 315-697-5866
 1-800-554-JUMO
 Fax: 315-697-5867
 E-mail: info.us@jumo.net
 Internet: www.jumousa.com



Technical data

PVC T fitting as per DIN 8063

- Nominal widths DN 15 to DN 50
- Maximum pressure PN 10¹
- Maximum temperature 50°C¹
- Fitting material PVC
- Sealant FKM

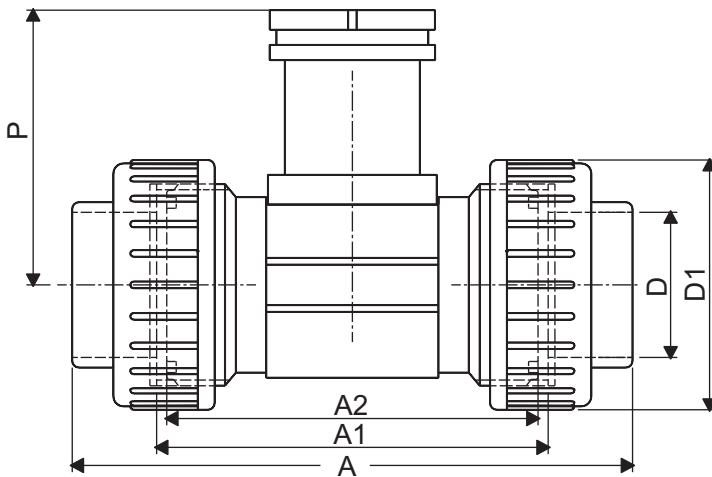


Nominal width	Sensor version	Q _{max} ² [l/s]	K ³ [pulse/l]	Sales no.
DN15	short	3.19	120.00	00523053
DN20	short	3.48	81.10	00523055
DN25	short	5.42	56.6	00523056
DN32	short	10.30	29.90	00523057
DN40	short	17.52	18.60	00523058
DN50	short	30.00	10.70	00523059

² Maximum flow rate at a flow velocity of 10 m/s

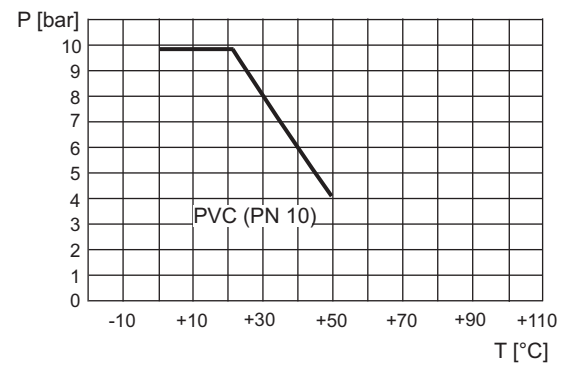
³ K-factor in pulse per liter for the Impeller flow rate sensor type 406020

Dimensions



DN (mm)	P (mm)	A (mm)	A1 (mm)	A2 (mm)	D (mm)	D1 (mm)
15	80.4	128.0	96	90	20.00	43
20	77.8	144.0	106	100	25.00	53
25	78.0	160.0	116	110	32.00	60
32	81.4	168.0	116	110	40.00	74
40	85.2	188.0	127	120	50.00	83
50	91.5	212.0	136	130	63.00	103

Pressure/temperature diagram



¹ Please observe the limit values of the installed sensor!

JUMO GmbH & Co. KG
 Delivery address: Mackenrodtstraße 14
 36039 Fulda, Germany
 Postal address: 36035 Fulda, Germany
 Phone: +49 661 6003-0
 Fax: +49 661 6003-607
 E-mail: mail@jumo.net
 Internet: www.jumo.net

JUMO Instrument Co. Ltd.
 JUMO House
 Temple Bank, Riverway
 Harlow, Essex CM20 2DY, UK
 Phone: +44 1279 635533
 Fax: +44 1279 635262
 E-mail: sales@jumo.co.uk
 Internet: www.jumo.co.uk

JUMO Process Control, Inc.
 8 Technology Boulevard
 Canastota, NY 13032, USA
 Phone: 315-697-5866
 1-800-554-JUMO
 Fax: 315-697-5867
 E-mail: info.us@jumo.net
 Internet: www.jumousa.com



Stainless steel T fitting with internal thread connection

- Nominal widths DN 15 to DN 50
- Maximum pressure PN 16 ¹
- Maximum temperature 150°C ¹
- Fitting material 1.4404 (316L)

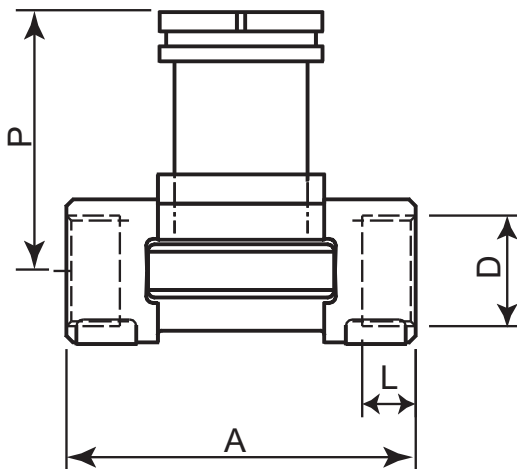


Nominal width	Sensor version	Q _{max} ² [l/s]	K ³ [pulse/l]	Sales no.
DN15	short	4.06	110.0	00547979
DN20	short	4.75	64.0	00547981
DN25	short	6.84	48.3	00547982
DN32	short	10.37	30.9	00547983
DN40	short	16.03	19.5	00547984
DN50	short	27.12	11.2	00547985

² Maximum flow rate at a flow velocity of 10 m/s

³ K-factor in pulse per liter for the Impeller flow rate sensor type 406020

Dimensions



DN (mm)	P (mm)	A (mm)	D (Zoll)	L (mm)
15	80.3	84.0	G1/2	16
20	77.8	94.0	G3/4	17
25	78.0	104.0	G1	23.5
32	81.4	119.0	G1 1/4	23.5
40	85.4	129.0	G1 1/2	23.5
50	91.5	148.5	G2	27.5

¹ Please observe the limit values of the installed sensor!

JUMO GmbH & Co. KG
 Delivery address: Mackenrodtstraße 14
 36039 Fulda, Germany
 Postal address: 36035 Fulda, Germany
 Phone: +49 661 6003-0
 Fax: +49 661 6003-607
 E-mail: mail@jumo.net
 Internet: www.jumo.net

JUMO Instrument Co. Ltd.
 JUMO House
 Temple Bank, Riverway
 Harlow, Essex CM20 2DY, UK
 Phone: +44 1279 635533
 Fax: +44 1279 635262
 E-mail: sales@jumo.co.uk
 Internet: www.jumo.co.uk

JUMO Process Control, Inc.
 8 Technology Boulevard
 Canastota, NY 13032, USA
 Phone: 315-697-5866
 1-800-554-JUMO
 Fax: 315-697-5867
 E-mail: info.us@jumo.net
 Internet: www.jumousa.com



Stainless steel T fitting with external thread connection

- Nominal widths DN 15 to DN 50
- Maximum pressure PN 16¹
- Maximum temperature 150°C¹
- Fitting material 1.4404 (316L)

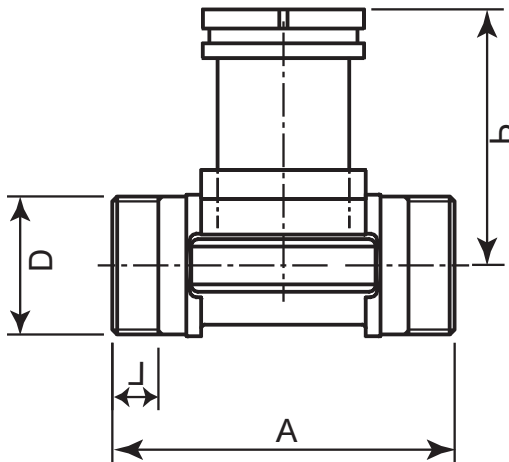


Nominal width	Sensor version	Q _{max} ² [l/s]	K ³ [pulse/l]	Sales no.
DN15	short	4.06	110.0	00553853
DN20	short	4.75	64.0	00553856
DN25	short	6.84	48.3	00553862
DN32	short	10.37	30.9	00553864
DN40	short	16.03	19.5	00553866
DN50	short	27.12	11.2	00553868

² Maximum flow rate at a flow velocity of 10 m/s

³ K-factor in pulse per liter for the Impeller flow rate sensor type 406020

Dimensions



DN (mm)	P (mm)	A (mm)	D (Zoll)	D (mm)	L (mm)
15	80.3	84.0	G3/4	-	11.5
20	77.8	94.0	G1	-	13.5
25	78.0	104.0	G1 1/4	-	14.0
32	81.6	119.0	G1 1/2	-	18.0
40	85.4	129.0		M 55 x 2	19.0
50	91.5	148.5		M 64 x 2	20.0

¹ Please observe the limit values of the installed sensor!

JUMO GmbH & Co. KG
 Delivery address: Mackenrodtstraße 14
 36039 Fulda, Germany
 Postal address: 36035 Fulda, Germany
 Phone: +49 661 6003-0
 Fax: +49 661 6003-607
 E-mail: mail@jumo.net
 Internet: www.jumo.net

JUMO Instrument Co. Ltd.
 JUMO House
 Temple Bank, Riverway
 Harlow, Essex CM20 2DY, UK
 Phone: +44 1279 635533
 Fax: +44 1279 635262
 E-mail: sales@jumo.co.uk
 Internet: www.jumo.co.uk

JUMO Process Control, Inc.
 8 Technology Boulevard
 Canastota, NY 13032, USA
 Phone: 315-697-5866
 1-800-554-JUMO
 Fax: 315-697-5867
 E-mail: info.us@jumo.net
 Internet: www.jumousa.com



PE welded adapter

- Nominal widths DN 65 to DN 400
- Maximum pressure PN 10¹
- Maximum temperature 70°C¹
- Fitting material PE

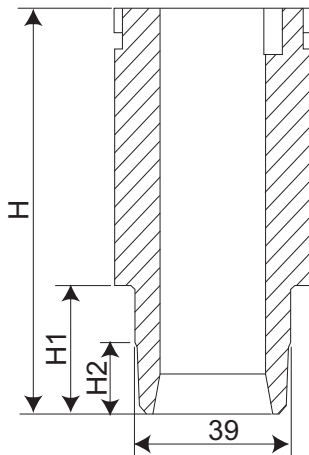


Nominal width	Sensor version	Q _{max} ² [l/s]	K ³ [pulse/l]	Sales no.
DN65	short	42,72	8,32	00523060
DN80	short	61,44	5,49	00537732
DN100	short	91,44	3,51	00537733
DN125	long	196,08	2,66	00537734
DN150	long	247,20	2,12	00537735
DN200	long	537,60	0,98	00537737
DN250	long	832,80	0,63	00537738
DN300	long	1224,00	0,42	00537740
DN350	long	1692,00	0,30	00537741
DN400	long	2234,40	0,23	00537742

² Maximum flow rate at a flow velocity of 10 m/s

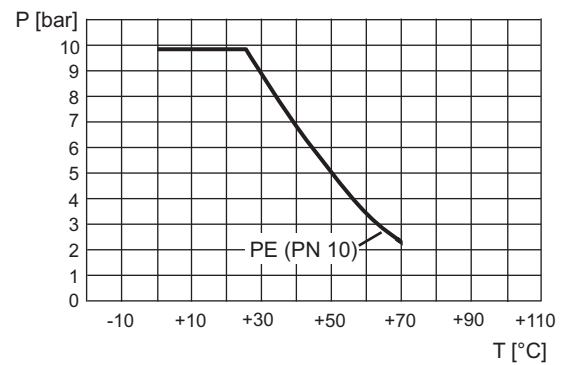
³ K-factor in pulse per liter for the Impeller flow rate sensor type 406020

Dimensions



DN (mm)	H (mm)	H1 (mm)	H2 (mm)
65	72.5	13.0	-
80	72.5	15.6	-
100	72.5	19.0	5.0
125	102.0	24.2	8.0
150	102.0	27.7	10.0
200	102.0	38.9	16.0
250	102.0	48.4	21.0
300	102.0	54.5	24.0
350	120.0	61.3	28.0
400	102.0	69.1	31.5

Pressure/temperature diagram



¹ Please observe the limit values of the installed sensor!

JUMO GmbH & Co. KG
 Delivery address: Mackenrodtstraße 14
 36039 Fulda, Germany
 Postal address: 36035 Fulda, Germany
 Phone: +49 661 6003-0
 Fax: +49 661 6003-607
 E-mail: mail@jumo.net
 Internet: www.jumo.net

JUMO Instrument Co. Ltd.
 JUMO House
 Temple Bank, Riverway
 Harlow, Essex CM20 2DY, UK
 Phone: +44 1279 635533
 Fax: +44 1279 635262
 E-mail: sales@jumo.co.uk
 Internet: www.jumo.co.uk

JUMO Process Control, Inc.
 8 Technology Boulevard
 Canastota, NY 13032, USA
 Phone: 315-697-5866
 1-800-554-JUMO
 Fax: 315-697-5867
 E-mail: info.us@jumo.net
 Internet: www.jumousa.com



Stainless steel welded adapter with radius

- Nominal widths DN 50 to DN 350
- Maximum pressure PN 16 ¹
- Maximum temperature 150°C ¹
- Fitting material 1.4404 (316L)

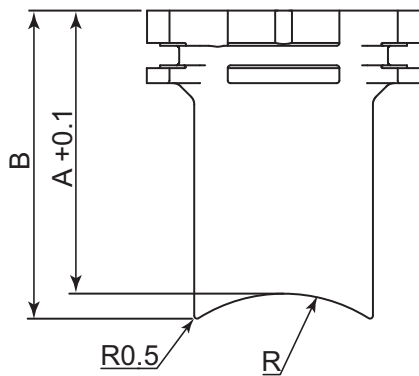


Nominal width	Sensor version	Q _{max} ² [l/s]	K ³ [pulse/l]	Sales no.
DN50	short	27.84	13.00	00553874
DN65	short	48.00	7.86	00553875
DN80	short	68.40	5.52	00553877
DN100	short	118.08	3.20	00553878
DN125	short	187.20	2.00	00553879
DN150	short	236.16	1.32	00553881
DN200	short	504.00	0.72	00553882
DN250	long	746.40	0.50	00553883
DN300	long	1072.80	0.35	00553885
DN350	long	1461.60	0.26	00553887

² Maximum flow rate at a flow velocity of 10 m/s

³ K-factor in pulse per liter for the Impeller flow rate sensor type 406020

Dimensions



DN (mm)	A (mm)	B (mm)	R (mm)
50	56.6	61.6	30.2
65	54.5	58.6	36.7
80	53.1	56.4	44.5
100	50.7	53.2	57.2
125	48.2	50.3	70.7
150	45.7	47.4	84.2
200	41.0	42.3	109.6
250	73.6	74.7	136.6
300	67.8	68.7	162.0
350	63.9	64.7	177.8

¹ Please observe the limit values of the installed sensor!

JUMO GmbH & Co. KG
 Delivery address: Mackenrodtstraße 14
 36039 Fulda, Germany
 Postal address: 36035 Fulda, Germany
 Phone: +49 661 6003-0
 Fax: +49 661 6003-607
 E-mail: mail@jumo.net
 Internet: www.jumo.net

JUMO Instrument Co. Ltd.
 JUMO House
 Temple Bank, Riverway
 Harlow, Essex CM20 2DY, UK
 Phone: +44 1279 635533
 Fax: +44 1279 635262
 E-mail: sales@jumo.co.uk
 Internet: www.jumo.co.uk

JUMO Process Control, Inc.
 8 Technology Boulevard
 Canastota, NY 13032, USA
 Phone: 315-697-5866
 1-800-554-JUMO
 Fax: 315-697-5867
 E-mail: info.us@jumo.net
 Internet: www.jumousa.com



PP connecting clamp

- Nominal widths DN 50 to DN 200
- Maximum pressure PN 10¹
- Maximum temperature 80°C¹
- Fitting materials PP (housing) and PVC (clamp)
- Sealant EPDM

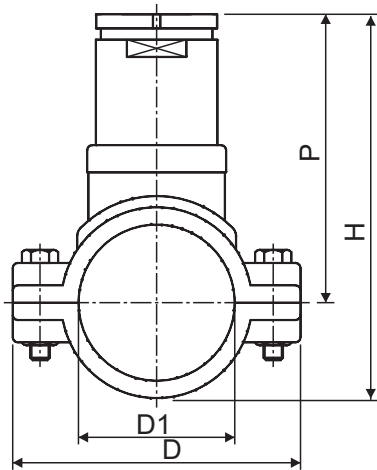


Nominal width	Sensor version	Q _{max} ² [l/s]	K ³ [pulse/l]	Sales no.
DN50	long	see Operating instructions B 406090		00553889
DN65	long			00553890
DN80	long			00553891
DN100	long			00553893
DN110	long			00553894
DN125	long			00553895
DN150	long			00553898
DN180	long			00553900
DN200	long			00553901

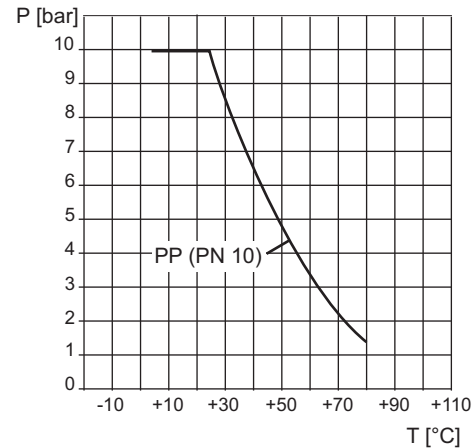
² Maximum flow rate at a flow velocity of 10 m/s

³ K-factor in pulse per liter for the Impeller flow rate sensor type 406020

Dimensions



Pressure/temperature diagram



DN (mm)	P (mm)	H (mm)	D (mm)	D1 (mm)
50	116.0	155	116	63
65	115.0	160	129	75
80	119.0	171	144	90
100	124.0	187	166	110
110	120.0	191	181	125
125	127.0	205	196	140
150	137.0	225	216	160
180	161.0	271	266	200
200	173.0	291	290	225

¹ Please observe the limit values of the installed sensor!

JUMO GmbH & Co. KG
 Delivery address: Mackenrodtstraße 14
 36039 Fulda, Germany
 Postal address: 36035 Fulda, Germany
 Phone: +49 661 6003-0
 Fax: +49 661 6003-607
 E-mail: mail@jumo.net
 Internet: www.jumo.net

JUMO Instrument Co. Ltd.
 JUMO House
 Temple Bank, Riverway
 Harlow, Essex CM20 2DY, UK
 Phone: +44 1279 635533
 Fax: +44 1279 635262
 E-mail: sales@jumo.co.uk
 Internet: www.jumo.co.uk

JUMO Process Control, Inc.
 8 Technology Boulevard
 Canastota, NY 13032, USA
 Phone: 315-697-5866
 1-800-554-JUMO
 Fax: 315-697-5867
 E-mail: info.us@jumo.net
 Internet: www.jumousa.com



Selecting the nominal width of the tube

Example:

Nominal flow speed: 10 m³/h

Desired medium speed: 2 to 3 m/s

Select tubing with DN40.

Flow rate quantity of the medium

